

FUSION Seating Prescription Form

Custom Built Seating System



GENERAL INFORMATION

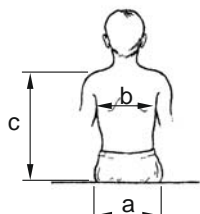
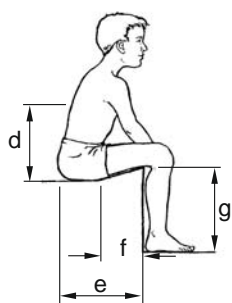
Clinician:	Email:	Date:
Service:	Delivery Address:	

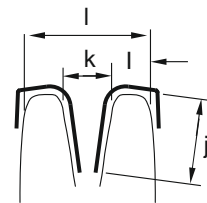
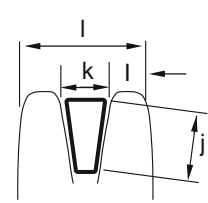
ASSESSMENT SUMMARY

Client Name/Ref:	Year of Birth:
Address/School:	Diagnosis:
Current Equipment:	
Issues with Current Equipment:	
Observations, deformity:	
Hips/Pelvis:	
Spine/Trunk:	

MEASUREMENTS

	Current Seat
a Pelvic Width: cm	
b Trunk Width: cm	
c Backrest Height: cm	
d Thoracic Pad Height: L R cm	
e Seat Depth: L R cm	
f Seat Ramp Length: cm	
g Footrest Height: L R cm	
h Footplate Length: cm	
i Knee Width: cm	
j Medial Pad: cm	
k Distance Between Knees: cm	
l Outside of Knees: cm	
Backrest Recline: Seat Tilt:	

ORDERING INFORMATION

Seat & Back <input type="checkbox"/>		Back Only <input type="checkbox"/>		Seat Only <input type="checkbox"/>	
Wheelchair Model & Size:			Fixed <input type="checkbox"/>	Removable <input type="checkbox"/>	
<i>Wheelchair Size: Width should be approx. 100mm wider than hip width to give 60mm width adjustment, Length approx. 70mm longer than seat depth</i>					
Seat Cushion:		Ramped <input type="checkbox"/>	Anti-Thrust <input type="checkbox"/>	Flat <input type="checkbox"/>	
Back Cushion:		inc Sacral <input type="checkbox"/>	inc Lumbar <input type="checkbox"/>	Full Type <input type="checkbox"/>	
Wraparound Laterals <input type="checkbox"/>		Swingaway Laterals <input type="checkbox"/>	Arm Protraction Pads <input type="checkbox"/>	Synergel Lining <input type="checkbox"/>	
Headrest :	Std <input type="checkbox"/>	Curved <input type="checkbox"/>	Wing Curved <input type="checkbox"/>	Multi-Adjustable:	350mm <input type="checkbox"/> 450mm <input type="checkbox"/> 550mm <input type="checkbox"/>
Harness:	H Type <input type="checkbox"/>	X Type <input type="checkbox"/>	Dynaflex <input type="checkbox"/>	Front Pull <input type="checkbox"/>	Rear Pull <input type="checkbox"/> Top Pull <input type="checkbox"/>
Padded Lap Strap:	2 point <input type="checkbox"/>	4 point <input type="checkbox"/>	Pommel <input type="checkbox"/>	Knee Laterals <input type="checkbox"/>	
Footrest:	CAPS II Type <input type="checkbox"/>	Wheelchair Only <input type="checkbox"/>	Footbox <input type="checkbox"/>	Foot Straps <input type="checkbox"/>	Ankle Huggers <input type="checkbox"/>
Upholstery:	<input type="checkbox"/> Black	<input type="checkbox"/> Pink	<input type="checkbox"/> Royal Blue	<input type="checkbox"/> Denim	<input type="checkbox"/> Purple <input type="checkbox"/> Red

Please see details on attached sheets

We will automatically select component sizes based on client measurements however you can indicate your preference below at no extra charge. Items shown in yellow incur a small additional charge. Please record all dimensions in cm

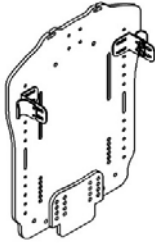
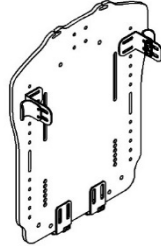
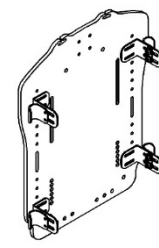
Seat Configuration

<input type="checkbox"/> Seat & Back	<input type="checkbox"/> Back Only	<input type="checkbox"/> Seat Only
<input type="checkbox"/> Interface into 2 wheelchairs		

Seat Mounting

<input type="checkbox"/> RMS Lock & Latch	<input type="checkbox"/> Fixed (Tube Clamps)	<input type="checkbox"/> Drop Seat Required
---	--	---

Backrest Mounting

<input type="checkbox"/> 2 Pt With Tongue 	<input type="checkbox"/> 2 Pt With Hinge 	<input type="checkbox"/> 4 Pt mounting 	<input type="checkbox"/> RMS Lock & Latch <input type="checkbox"/> Fixed (Tube Clamps) 2 Point lock & latch with tongue is the standard option, allowing easy assembly 2 Point lock & latch with hinge mounting is suitable for smaller seats. 4 Point mounting with either lock & latch or tube clamps is primarily used with separate back support systems.
--	---	---	---

Upholstery

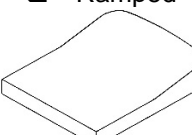
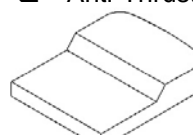
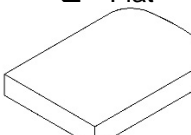
Machine washable upholstery is normally supplied in two tone with Speckle black fabric on sides and back of all covers

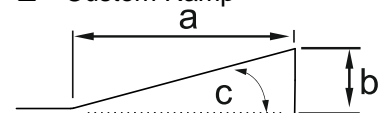
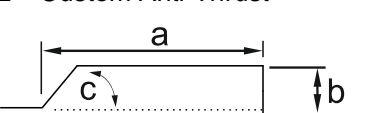
Duratex:	<input type="checkbox"/> Black	<input type="checkbox"/> Pink	<input type="checkbox"/> Royal Blue	<input type="checkbox"/> Denim	<input type="checkbox"/> Purple	<input type="checkbox"/> Red
Dartex:	<input type="checkbox"/> Black	Macro Suede:	<input type="checkbox"/> Black	<input type="checkbox"/> Pink	<input type="checkbox"/> Blue	<input type="checkbox"/> Red

2nd Set of covers, please specify:

Special Requirements:

Seat Cushion

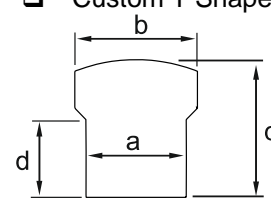
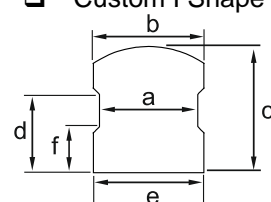
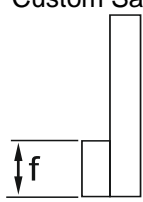
<input type="checkbox"/> Ramped 	<input type="checkbox"/> Anti-Thrust 	<input type="checkbox"/> Flat 	Sizes determined by Seat Dimensions Reflex 650F (Firm) as Standard (typically 50mm thick on flat) Further customisation available below if required.
--	---	--	---

<input type="checkbox"/> Custom Ramp 	<input type="checkbox"/> Custom Anti-Thrust 	Specify b or c
---	--	------------------------------

a) Ramp Length:	b) Ramp Height:	c) Ramp Angle:
Ramp Base Layer:	<input type="checkbox"/> Firm (Reflex 650F)	<input type="checkbox"/> Chip Foam
Flat Section of Cushion	<input type="checkbox"/> Firm (Reflex 650F)	<input type="checkbox"/> Soft Memory
	<input type="checkbox"/> Med. Memory	<input type="checkbox"/> Firm Memory
<input type="checkbox"/> Asymmetric:	Left: _____ cm	Right: _____ cm

Special Requirements:

Backrest Cushion

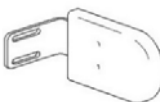
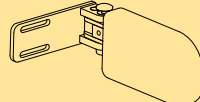
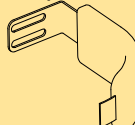
<input type="checkbox"/> Sacral Pad	<input type="checkbox"/> Lumbar Pad	<input type="checkbox"/> Full Pad
Standard Foam <input type="checkbox"/> Memory Foam <input type="checkbox"/>	Soft <input type="checkbox"/> Medium <input type="checkbox"/> Firm <input type="checkbox"/>	
<input type="checkbox"/> Custom T Shape 	<input type="checkbox"/> Custom I Shape 	<input type="checkbox"/> Custom Sacral 
a: _____	b: _____	c: _____
d: _____	e: _____	f: _____

Special Requirements:

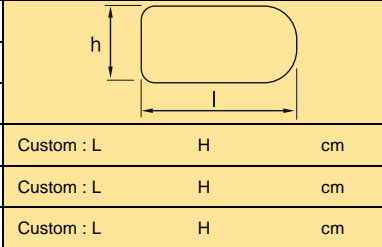
FUSION Seating Prescription Form

Custom Built Seating System

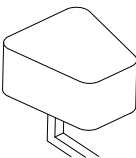

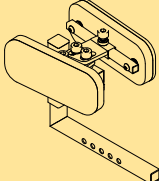


Lateral Supports						
Fixed  <input type="checkbox"/> Thoracic <input type="checkbox"/> Pelvic	Swing away  <input type="checkbox"/> Thoracic	Wrap around  <input type="checkbox"/> Thoracic	<i>Sizes determined by Seat Dimensions Evazote padded slim line lateral pads Further customisation available below if required.</i>			

Customise your laterals more:						
Size	A	B	C	D	E	F
L	13	14	15	17	20	25
H	7.5	7.5	9.5	9.5	9.5	9.5
Thoracic	<input type="checkbox"/>	<input type="checkbox"/>	<input type="checkbox"/>	<input type="checkbox"/>	<input type="checkbox"/>	<input type="checkbox"/>
Pelvic	<input type="checkbox"/>	<input type="checkbox"/>	<input type="checkbox"/>	<input type="checkbox"/>	<input type="checkbox"/>	<input type="checkbox"/>
Arm Protraction	<input type="checkbox"/>	<input type="checkbox"/>	<input type="checkbox"/>	<input type="checkbox"/>	<input type="checkbox"/>	<input type="checkbox"/>

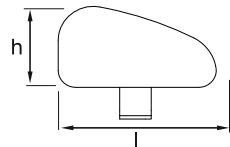
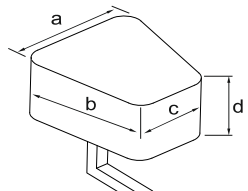


Special Requirements:

Knee Control		
<input type="checkbox"/> Solid Pommel 	<input type="checkbox"/> Knee Lateral 	<input type="checkbox"/> Adjustable Pommel 

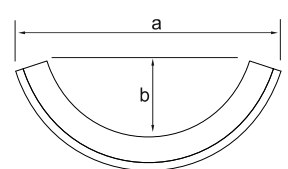
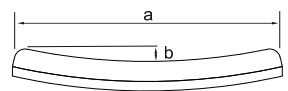
*Sizes determined by seat dimensions
 Solid Pommel or Knee Laterals standard
 Solid Pommel and Knee Laterals
 Adjustable Pommel
 Further customisation available below.*

Pommel					Knee Laterals		
Size	a	b	c	d	Size	l	h
<input type="checkbox"/> S	8	9	6	6	<input type="checkbox"/> S	15	7
<input type="checkbox"/> M	9	11	7	7	<input type="checkbox"/> M	19	9
<input type="checkbox"/> L	11	13	8	8	<input type="checkbox"/> L	22	10
<input type="checkbox"/> XL	13	15	9	9	<input type="checkbox"/> XL	25	10
Custom					Custom		

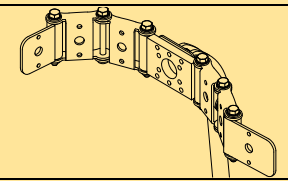
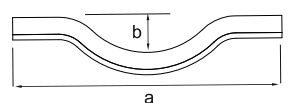


Special Requirements:

Shallow Contour				Curved			
Size	a	b	h	Size	a	b	h
<input type="checkbox"/> S	20	0.5	9	<input type="checkbox"/> S	21	6.5	8
<input type="checkbox"/> M	25	1	11	<input type="checkbox"/> M	24	7	10
<input type="checkbox"/> L	30	2	11	<input type="checkbox"/> L	27	8	11
<input type="checkbox"/> XL	34	2.5	14	<input type="checkbox"/> XL	29	9	12
Custom				Custom			



Wing Curved				Multi Adjustable			
Size	a	b	h	Joins	a	b	h
<input type="checkbox"/> S	31	6.5	8	<input type="checkbox"/> 4	35	N/A	10
<input type="checkbox"/> M	33.5	6.5	10	<input type="checkbox"/> 6	40 / 45	N/A	10
<input type="checkbox"/> L	36.5	8	10	<input type="checkbox"/> 8	50 / 55	N/A	10
Custom				Custom			



<input type="checkbox"/> Basic Link Mount	<input type="checkbox"/> Ball & Link	<input type="checkbox"/> Through Bar (Double Ball Joints)
---	--------------------------------------	---

Special Requirements:

Harnessing

FUSION Seating Prescription Form

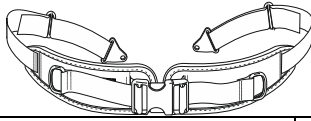
Custom Built Seating System

FUSION
CUSTOM BUILT SEATING SYSTEM

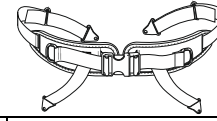
ACTIVE
DESIGN

Pelvic Belt – Size determined by seat dimensions

2 Point



4 Point



Plastic Buckle - Single Pull

Plastic Buckle - Dual Pull

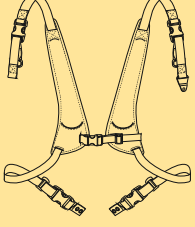
Safety Buckle

Standard Pad Size

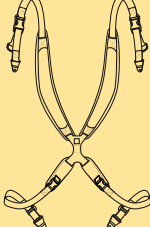
Slim line Pad Size

Shoulder Harness

H-Type



X-Type



Dynaflex



Rear Pull

Top Pull

Front Pull

XXS

XS

S

M

L

XL

Special Requirements:

Foot Support

Use Standard Wheelchair footplates

Note: Foot supports subject to wheelchair specification

Wheelchair mounted approx.

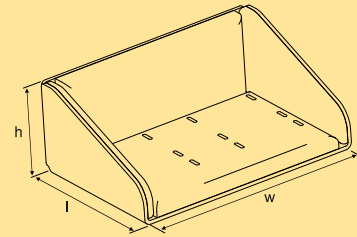
Neo/Discovery std Drop Tubes

Neo/Discovery Swing away Drop Tubes

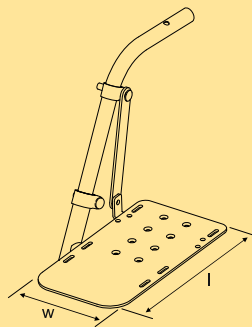
ABS Plastic foot box

Padded foot box

CAPS type footrest plates



Size	w	l
<input type="checkbox"/> XXS	10.5	16
<input type="checkbox"/> XS	10.5	18
<input type="checkbox"/> S	11.5	20
<input type="checkbox"/> M	12.5	22.5
<input type="checkbox"/> L	13.5	25
<input type="checkbox"/> Custom		



Size (inside)	w	l	h
<input type="checkbox"/> XS	22.5	21	9
<input type="checkbox"/> S	25	21	9
<input type="checkbox"/> M	30	24	11
<input type="checkbox"/> L	35	26	12
<input type="checkbox"/> XL	38	27	12
<input type="checkbox"/> Custom			

Special Requirements:

Ankle Huggers

S

M

L

Ottobock Foot Skates

S

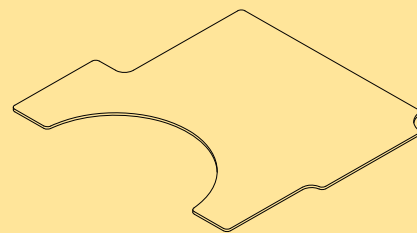
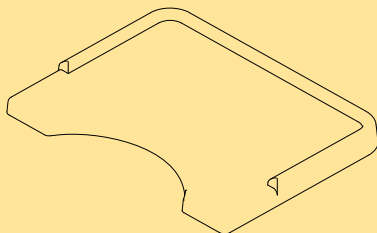
M

L

Special Requirements:

Tray

Tray mounted off Armrests, price subject to wheelchair specification



Moulded Black

Clear Perspex

Custom CNC Cut

S

M

L

Specify Below

Special Requirements:

FUSION Seating Prescription Form

Custom Built Seating System



Special Requirements / Notes or Drawings